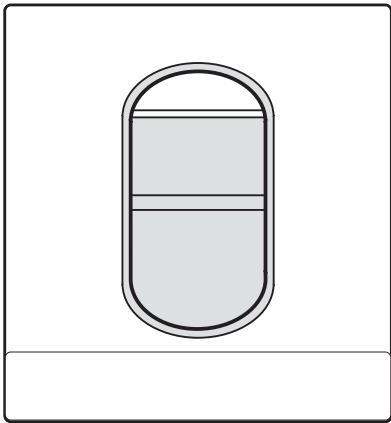
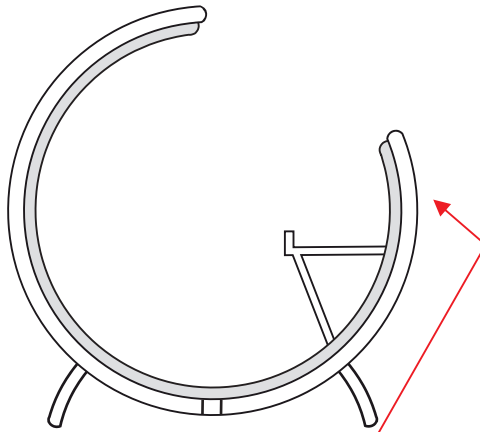


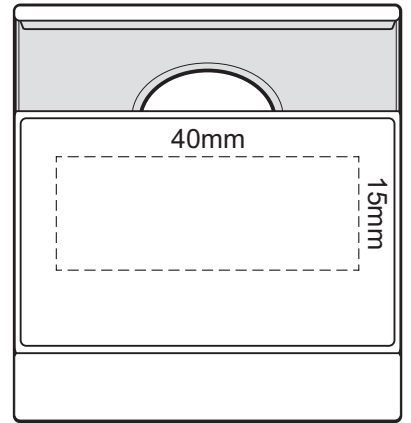
100% of Actual Size
Pad Print



BACK

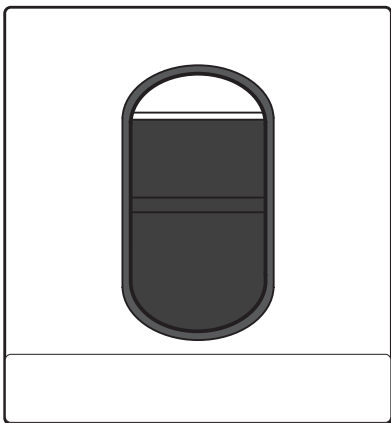


SIDE
Printed on Front

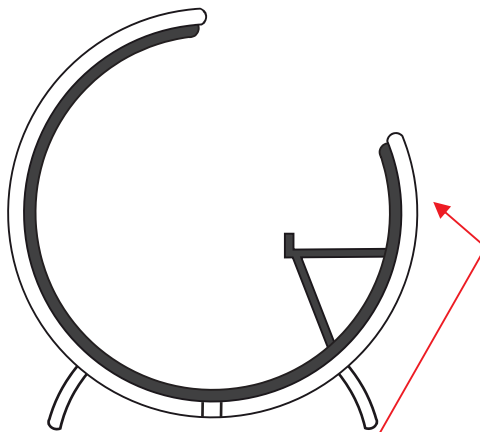


FRONT

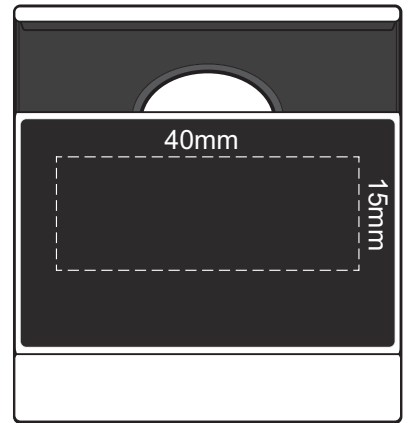
Insert will be visible as the stand is made of clear material



BACK



SIDE
Printed on Front



FRONT

Insert will be visible as the stand is made of clear material